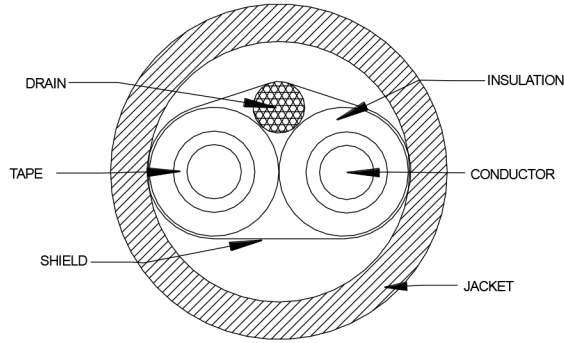


16 AWG Solid 2/C VITALink® Shielded Circuit Integrity Cable



1. Construction:

- 1.1. Conductors: 16 AWG Bare Copper, 0.050" Nominal Diameter
- 1.2. Tape: Flame Retardant Tape
- 1.3. Insulation: Low Smoke Zero Halogen Thermoset Fire-Roc™ 0.128" Nominal Diameter & 0.029" Nominal Wall Thickness
- 1.4. Color Code: Red, Black
- 1.5. Cable Assembly: Cable (2) Conductors Nominal 4.5" LHL
- 1.6. Drain: 20 AWG Stranded Bare Copper
- 1.7. Shield: Copper/Polyester Tape
- 1.8. Jacket: Non Halogen Flame Retardant Polyolefin Compound, Nominal Overall Diameter, 0.330", Nominal Wall Thickness 0.034" Color: RED

1.9. Jacket Print:

COMTRAN CABLE LLC LSZH VITALink® FPLR-CI-LS CMR-CI-LS CL3R-CI-LS 2/C 16AWG SHLD 105C SUN RES WET FRR-2HR FOR USE IN FHIT SYSTEM 40A & FHIT7 SYSTEM 40A MAX VOLTAGE 72V ULC-S139 W/HOSE STREAM OR CSA FAS105 FT4 ST1 PN35785 (MMYY) 000002 (01-12345)


NOTE: MMY is 4 Digit Month/Year
Sequential Footage Markings Every Two Feet

2. Compliance:

- 2.1. (UL) Listed Type FPLR-CI-LS
- 2.2. (UL) Listed Type CMR-CI-LS
- 2.3. (UL) Listed CL3R-CI-LS/PLTC-CI-LS
- 2.4. CSA Listed FAS 105 FT4 ST1
- 2.5. UL Subject 1424 Power Limited Fire Alarm Circuits; 300V/105°C Classified
- 2.6. UL Subject 13 Power Limited Circuit Cables; 300V/105°C Classified
- 2.7. UL Subject 444 Communications Cable, 300V/105°C Classified
- 2.8. ANSI/UL 2196 2-Hour Fire Rating for use in FHIT System 40A
- 2.9. CAN/ULC-S139 2-Hour Fire Rating with Hose Stream for use in FHIT7 System 40A
- 2.10. NFPA 70 & 72
- 2.11. California State Fire Marshal Approved
- 2.12. NYC Electrical Advisory Board #54502, April 2017
- 2.13. RoHS Compliant

3. Physical Characteristics:

- 3.1. Nominal Conductor DCR @ 68F: 4.09Ω
- 3.2. Nominal Weight per 1000 FT: 60 Lbs.
- 3.3. Min Bend Radius: 4"
- 3.4. Maximum Pull Tension – Straight runs: 41 Lbs/Ft.
- 3.5. Passes Cold Bend Test @ -20C

Part No:		Title:			
2HR-35785		Comtran VITALink 2 Hour Fire Resistant Cable, 16 AWG, Solid, Shielded			
Rev	Date	Detail	Eng.	App.	
08	05/24/18	FAS from 90 to 105	PB	WC	ECN 18-067
07	09/29/17	UPDATE LEGEND	PB	RN	ECN 17-100
06	06/07/17	Additional listings add NYC EAB #	PB	RN	
05	6/15/16	Updated to include Canadian listings	PAB	RN	
04	05/02/16	Expanded Print with additional listings, expanded Compliance Section	PAB	RN	
03	10/8/15	Updated System number in print legend	PAB	RN	
02	9/10/15	Update to current format; add detail, electrical data	PAB	RN	
01	5/27/15	First Release	BAL	RN	

Comtran Cable LLC Reserves the right to change the information above without prior notification. Comtran Cable LLC assumes no risk, and is not liable for direct or indirect, or consequential damages, resulting from the use of this document